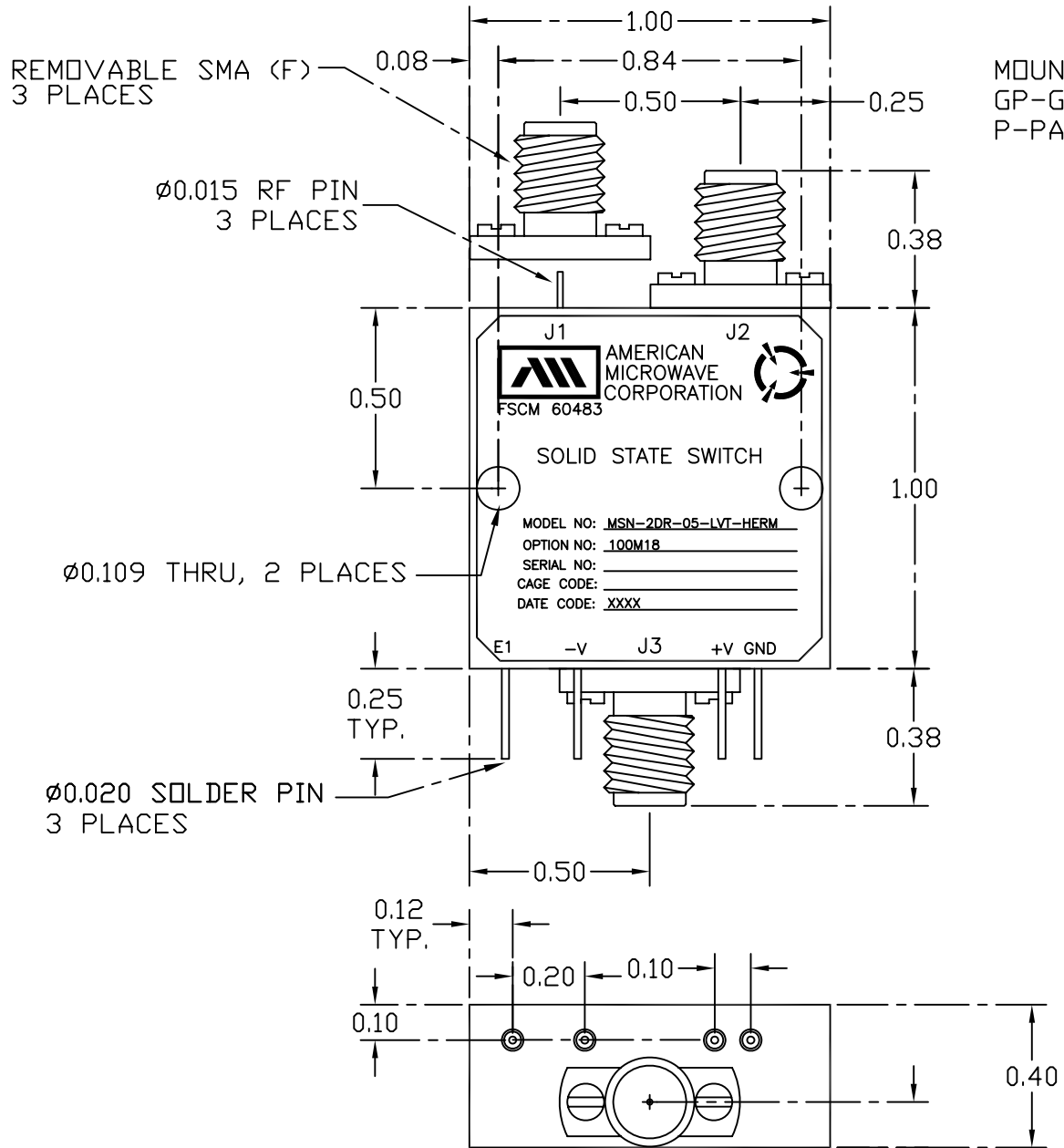


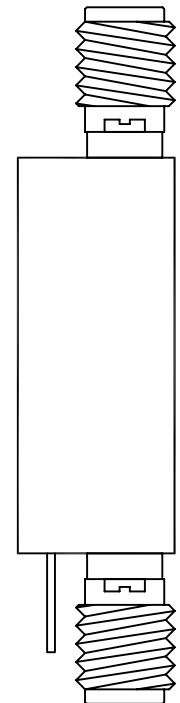
DESCRIPTION:

AMC MODEL MSN-2DR-05-LVT-HERM OPTION 100M18 IS A SINGLE POLE TWO THROW, REFLECTIVE SWITCH MODULE WITH VERY LOW INSERTION LOSS, HIGH ISOLATION AND WITH INTEGRAL TTL DRIVER, DESIGNED FOR LOW VIDEO TRANSIENTS, LOW HARMONIC DISTORTION AND BROAD BAND OPERATIONS.

REVISIONS				
ZONE	REV.	DESCRIPTION	DATE	APPROVED
	-	ORIGINAL JOB # 605082PE-1	6/22/06	



MOUNTING SURFACE
GP-GOLD PLATED
P-PAINTED



ALL DIMENSIONS ARE IN INCHES
TOLERANCES:
X.XX ±0.020
X.XXX ±0.010

0.125 (GP)
0.127 (P)

PART NO.		AMERICAN MICROWAVE CORPORATION FREDERICK, MARYLAND		
APPROVALS	DATE	TITLE		
DRAWN <i>RRd</i>	6/22/06	MECHANICAL OUTLINE MSN-2DR-05-STANDARD OPTION 100M18 SOLID STATE SWITCH		
CHECKED <i>Rd</i>	09/19/06	SIZE	FSCM NO.	DWG NO.
ISSUED		A	60483	100-3922-11
		SCALE		REV. -
			SHEET	2 of 4

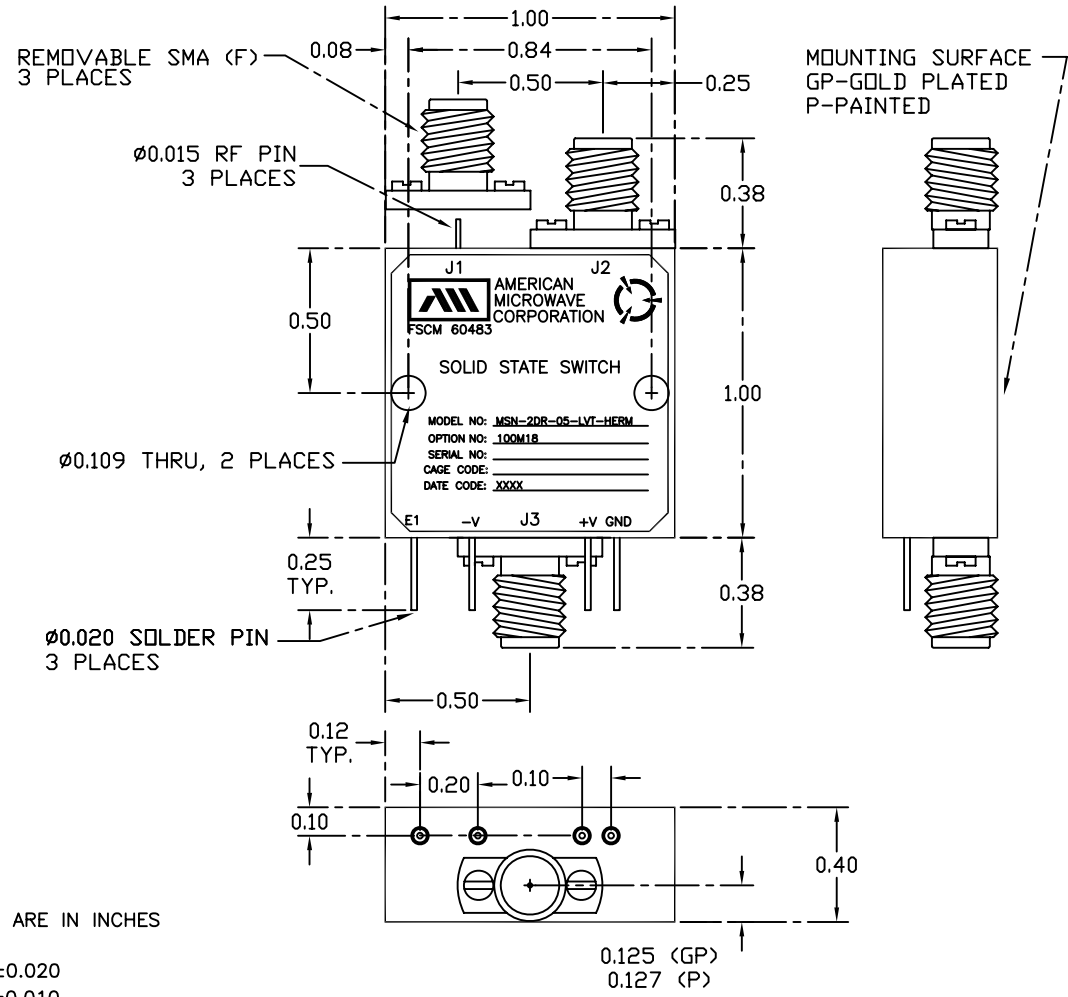
DESCRIPTION:

AMC MODEL MSN-2DR-05-LVT-HERM OPTION 100M18 IS A SINGLE POLE TWO THROW, REFLECTIVE SWITCH MODULE WITH VERY LOW INSERTION LOSS, HIGH ISOLATION AND WITH INTEGRAL TTL DRIVER, DESIGNED FOR LOW VIDEO TRANSIENTS, LOW HARMONIC DISTORTION AND BROAD BAND OPERATIONS.

REVISIONS				
ZONE	REV.	DESCRIPTION	DATE	APPROVED
-		ORIGINAL JOB # 605082PE-1	6/22/06	

SPECIFICATIONS:

- FREQUENCY:100 MHz TO 18 GHz
- INSERTION LOSS:100 MHz 2 GHz 1.0 dB MAXIMUM OVER TEMPERATURE
2 TO 6 GHz 1.5 dB MAXIMUM OVER TEMPERATURE
6 TO 18 GHz 3.0 dB MAXIMUM OVER TEMPERATURE
- ISOLATION (ANY PORT):70 dB MINIMUM
- VSWR (ANY PORT, ANY STATE):2.0:1
- SWITCHING SPEED:100 nS MAXIMUM 90 nS TYPICAL
(50% TTL TO 10%/90% RF)
- RISE/FALL TIME:15 nS MAXIMUM 10 nS TYPICAL
(10% TO 90% RF)
(90% TO 10% RF)
- RF INPUT POWER+20 dBm OPERATING, 1 WATT SURVIVAL
- RF CONNECTORS:SMA FEMALE
- DC POWER SUPPLY:+5V ±10% @ 60 mA MAXIMUM
-5V ±10% @ 50 mA MAXIMUM
- CONTROL:TTL LOGIC "0"=ON J3-J1 "1"=ON J3-J2
- CONTROL INTERFACE:DC SOLDER PINS
- VIDEO TRANSIENTS:±0.75 VOLTS PEAK TO PEAK, 20 MHz BANDWIDTH
- WEIGHT:1.5 OUNCES TYPICAL
- SIZE:1.00 (L) X 1.00 (W) X 0.40 (H)



ALL DIMENSIONS ARE IN INCHES

TOLERANCES:
X.XX ±0.020
X.XXX ±0.010

ENVIRONMENTAL RATINGS:

- TEMPERATURE:-54°C TO +85°C (OPERATING)
-54°C TO +85°C (STORAGE)
- HUMIDITY:100% OVER TEMPERATURE
- SHOCK:18 IMPACT SHOCKS OF 20 Gs, CONSISTING OF 3 SHOCKS IN OPPOSITE DIRECTIONS ALONG EACH OF THREE MUTUALLY PERPENDICULAR AXES, EACH SHOCK IMPULSE HAVING A TIME DURATION OF 11 ±1 MILLISECONDS. THE 'G' VALUE SHALL BE WITHIN ± 10% WHEN MEASURED WITH A 0.2 TO 250 Hz FILTER, AND THE MAXIMUM 'G' SHALL OCCUR AT APPROXIMATELY
- VIBRATION:MIL-STD-810, METHOD 514.4, 5 HOURS EACH OF THREE AXES
- ALTITUDE:MIL-STD-202F, METHOD 105C COND. B
- TEMPERATURE CYCLE:MIL-STD-202F, METHOD 107D COND. A

M/N = MANUFACTURER PART NUMBER
O/N = OPTION NUMBER
S/N = SERIAL NUMBER

NOTE:
DT=WITH DRIVER, NON-REFLECTIVE/ABSORPTIVE

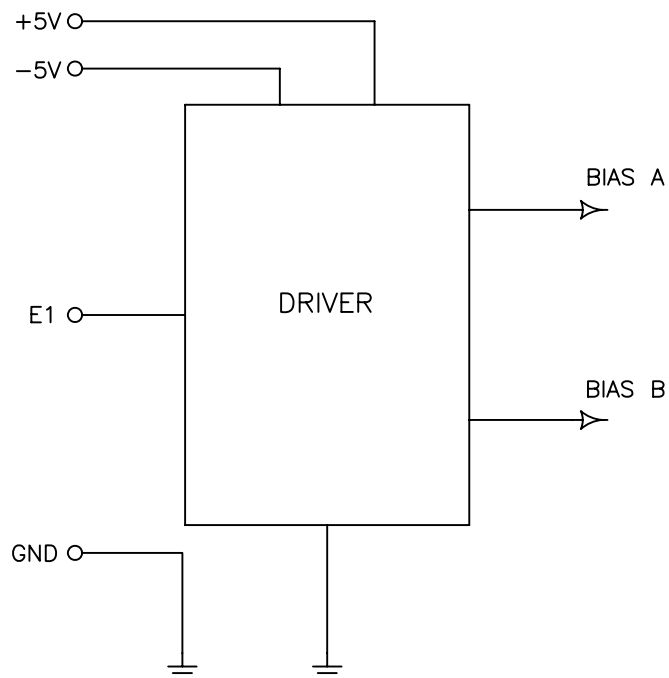
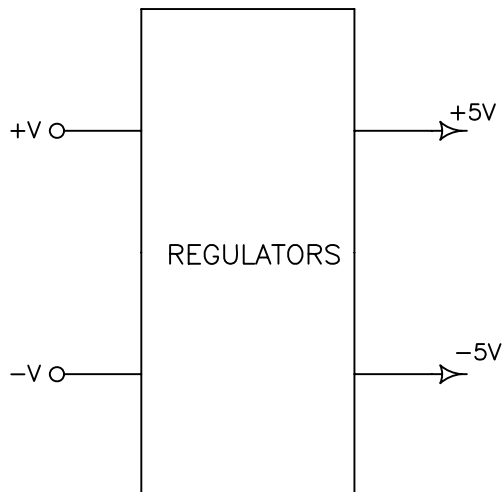
NOTE: THE ABOVE SPECIFICATIONS ARE SUBJECT TO CHANGE OR REVISION

PART NO.		AMERICAN MICROWAVE CORPORATION FREDERICK, MARYLAND	
APPROVALS	DATE	TITLE	
<i>R.R.A</i>	6/22/06	PRODUCT FEATURE MSN-2DR-05-LVT-HERM OPTION 100M18 SOLID STATE SWITCH	
CHECKED	DATE	SIZE	FSCM NO.
<i>R.A</i>	09/19/06	A	60483
ISSUED		DWG NO.	REV.
		100-3922-11	A
SCALE		SHEET 1 of 4	

DESCRIPTION:

AMC MODEL MSN-2DR-05-LVT-HERM OPTION 100M18 IS A SINGLE POLE TWO THROW, REFLECTIVE SWITCH MODULE WITH VERY LOW INSERTION LOSS, HIGH ISOLATION AND WITH INTEGRAL TTL DRIVER, DESIGNED FOR LOW VIDEO TRANSIENTS, LOW HARMONIC DISTORTION AND BROAD BAND OPERATIONS.

REVISIONS				
ZONE	REV.	DESCRIPTION	DATE	APPROVED
	-	ORIGINAL JOB # 605082PE-1	6/22/06	

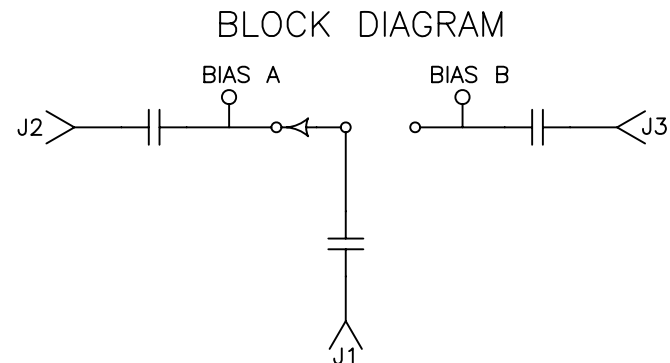



ALL DIMENSIONS ARE IN INCHES

TOLERANCES:

X.XX ±0.020

X.XXX ±0.010



PART NO.		 AMERICAN MICROWAVE CORPORATION FREDERICK, MARYLAND		
APPROVALS	DATE	TITLE		
DRAWN <i>R.R.A.</i>	6/22/06	BLOCK DIAGRAM MSN-2DR-05-STANDARD OPTION 100M18 SOLID STATE SWITCH		
CHECKED <i>R.A.</i>	09/19/06	SIZE	FSCM NO.	DWG NO.
ISSUED		A	60483	100-3922-11
		SCALE	SHEET 3 of 4	

REV.

-